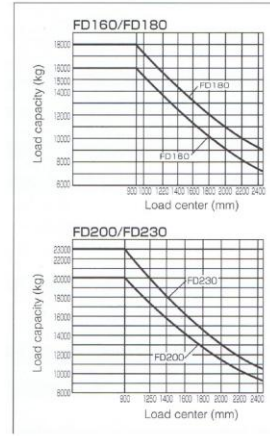


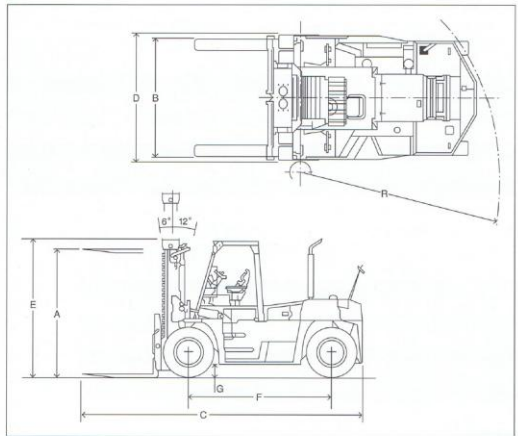
■ Standard Specifications

Model		FD230		
Performance	Load capacity	kg (lbs)	23000 (50000) 20000 (44000)	
	Load center	mm (in)	900 (36) 1250 (49)	
	Maximum fork height	mm (in)	A 3000 (118.1)	
	Lifting speed : with load	mm/s (fpm)	240 (47.2)	
	Mast tilt angle : forward / backward	deg	6 / 12	
	Max. Travel speed	km/h (mph)	32 (19.9)	
	Lateral fork adjustment (outside)	mm (in)	B 950 - 2750 (37.4-108.3)	
	Turning radius (outside)	mm (in)	R 5350 (210.6)	
	Gradeability : with load (1.6km/h)	%	15 16	
	Dimensions & Weight	Overall length : with fork	mm (in)	C 7990 (314.6)
: without fork		mm (in)	5545 (218.3)	
Fork size : L x W x T		mm (in)	2440 x 310 x 98 (96.1 x 12.2 x 3.8)	
Overall width		mm (in)	D 3060 (120.5)	
Overall height : mast		mm (in)	E 3580 (140.9)	
: overhead guard		mm (in)	3260 (128.3)	
Wheelbase		mm (in)	F 3650 (143.7)	
Engine & Transmission	Internal combustion engine	: model	ISUZU 6BG1T Diesel Engine	
		: piston displacement	lit. (in ³)	6.494 (396.3)
		: rated output / r.p.m.		125kW (170PS) / 2200r.p.m. (SAE GROSS 127kW (172HP) / 2200r.p.m.)
	Transmission	: maximum torque / r.p.m.		620N·m (63kgf·m) / 1800r.p.m.
		: type		Automatic power-shift transmission
	Tire & Brake	Transmission	: number of speed	3 - 3 (Fwd / Rvs)
			Tire size	12.00-24-18PR 13.00-24-20PR 14.00-24-24PR 14.00-24-24PR
		Brake	: service	Air-over-hydraulic disc brake
			: parking	Built in transmission, wet multiple disc brake
		Steering system		Full hydrostatic power steering

■ Load Charts



■ Dimensions



■ Wide View Mast

Mast Model	Load Capacity			
	Load center 900mm(36in)		1250mm(49in)	
	kg	lbs	kg	lbs
VM300	23000	50000	20000	44000
VM350	23000	50000	20000	44000
VM400	23000	50000	20000	44000
VM450	23000	50000	20000	44000
VM500	23000	50000	20000	44000
VM550	21500	47000	19000	42000
VM600	20000	44000	18000	40000

Mast Model	Service Weight	
	kg	lbs
	VM300	30760
VM350	30990	68300
VM400	31230	68800
VM450	31760	70000
VM500	32000	70500
VM550	32250	71100
VM600	32460	71600