

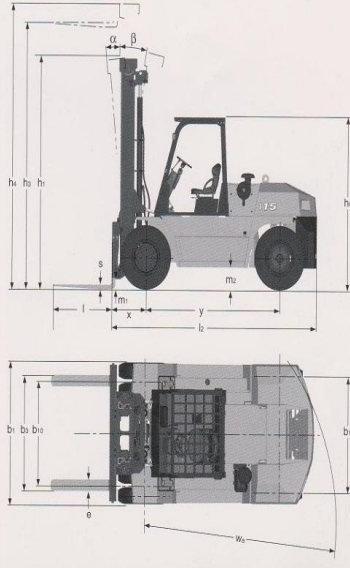
# Loading Capacity: 10,000Kg

## Specifications

Characteristics		Manufacturer's Designations		FD100
1.2	Model	Manufacturer's Designations		FD100
1.3	Power Type	Electric, Diesel, Gasoline, LPG, Cable		Diesel
1.4	Operation Type	Pedestrian, Drive Standing, Sitting, Order Picking		Sitting
1.5	Rated Capacity	Q	Rated Capacity	kg (lb) 10000 (22,000)
1.6	Load Center	c	Rated Load Center	mm (in) 600 (24)
1.8	Load Distance	x	Front Axle Center to Fork Face	mm (in) 695 (27.4)
1.9	Wheelbase	y		mm (in) 2800 (110.2)
Weight				
2.1	Service Weight			kg (lb) 12980 (28,620)
2.2	Axle Loading	Loaded	Front	kg (lb) 20860 (45,990)
2.2.1			Rear	kg (lb) 2120 (4,670)
2.3		Unloaded	Front	kg (lb) 6230 (13,730)
2.3.2			Rear	kg (lb) 6750 (14,880)
Tyres				
3.1	Tyre Type			Pneumatic
3.2	Tyre Size	Front	9.00-20-14PR (I)	
3.3		Rear	9.00-20-14PR (I)	
3.5	Number of Wheel	Front/Rear (x=driven)		4x2
3.6	Tread, Front	b10	mm (in)	1700 (66.9)
3.7	Tread, Rear	b11	mm (in)	1900 (74.8)
Dimensions				
4.1	Tilting Angle	$\alpha/\beta$	Forward/Backward	degree 6/12
4.2	Mast Height, Lowered	h1	with Std. Mast	mm (in) 2890 (113.8)
4.3	Std. Free Lift	h2	with Std. Mast from Ground	mm (in) 0 (0.0)
4.4	Std. Lift Height	h3	with Std. Mast from Ground	mm (in) 3000 (118)
4.5	Mast Height, Extended	h4	with Std. Mast	mm (in) 4400 (173.2)
4.7	Height, Overhead Guard	h6		mm (in) 2780 (109.4)
4.19	Length, with Std. Forks	l1		mm (in) 5465 (215.2)
4.20	Length, to fork face	l2		mm (in) 4245 (167.1)
4.21	Width, at tyre	b1		mm (in) 2280 (89.8)
4.22	Forks	s/l/l	Thickness/Width/Length	mm (in) 75x170x1220 (3.0x6.7x48.0)
4.23	Fork Carriage Class			Pin Mount
4.24	Width, Fork Carriage	b3	mm (in)	2140 (84.3)
4.31	Ground Clearance	m1	Under the Mast	mm (in) 250 (9.8)
4.32		m2	at the center of wheelbase	mm (in) 325 (12.8)
4.33	Right Angle Stacking Aisle*	Ast	plus load length	mm (in) 4695 (184.8)
4.35	Turning Radius	Wa		mm (in) 4000 (157.5)
Performance				
5.1	Travel Speed (FWD)	Loaded, 1st/2nd/3rd	km/h (mph)	8.5/18/28 (5.3/11.2/17.4)
5.1.1		Unloaded, 1st/2nd/3rd	km/h (mph)	9/20/32 (5.6/12.4/19.9)
5.2	Lifting Speed	Loaded/Unloaded	mm/s (fpm)	470/500 (93/98)
5.3	Lowering Speed	Loaded/Unloaded	mm/s (fpm)	400/500 (78.7/98.4)
5.6	Max. Drawbar Pull	Loaded	kN (lb)	89 (20,010)
5.8	Max. Gradeability	Loaded 1.5km/h, 3min rating	%	40
5.10	Service Brake	Operation/Control	Foot/Hydraulic, Powered	
5.11	Parking Brake	Operation/Control	Hand/Mechanical	
5.12	Steering	Type	Hydraulic Power Steering	
6.4	Battery	Voltage/Capacity at 5-hour rating	V/Ah	24/80
Drive				
7.1	Maker/Model			
7.2	Rated Output, SAE net	kW (HP)		122 (164)
7.3	Rated Speed	min <sup>-1</sup>		2200
7.3.1	Max Torque, SAE net	N-m (lbf)@min <sup>-1</sup>		575 (424)@ 1600
7.4	No. of Cylinder/Displacement	cm <sup>3</sup> (cu.in)		6/6690 (408)
7.6	Fuel Tank Capacity	Ltr (US gal)		260 (68.7)
8.2	Relief Pressure for Attachment	bar (psi)		216 (3,150)
8.2.1	Hydraulic Tank Capacity	Ltr (US gal)		180 (48)
8.6	Clutch	Torque Converter		

\*Right Angle Stacking Aisle does not include any operational clearance. Specifications are subject to change without notice. The performance values indicated herein represent nominal values obtained under typical operating conditions.

## Dimensional Drawing



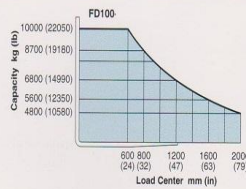
## Maximum Load and Overall Height of Mast by Lifting Height (Double mast, load center: 600mm)

Model		FD100			
2-stage view mast					
Maximum fork height mm (in)	Overall height mm (in)		Load capacity* kg (lb)	Free tilt mm (in)	Back tilt restriction
	Lowered/Extended				
3000 (118)	2890/4400 (113.8/173.2)	10000 (22,000)	0 (0)	12'	
3300 (130)	3040/4700 (119.7/185.0)	10000 (22,000)			
3500 (138)	3140/4900 (123.6/192.9)	10000 (22,000)			
3700 (146)	3240/5100 (127.6/200.8)	10000 (22,000)			
4000 (157)	3390/5400 (133.5/212.6)	10000 (22,000)			
4500 (177)	3740/6000 (147.2/236.2)	10000 (22,000)			
5000 (197)	4140/6650 (163.0/261.8)	10000 (22,000)			
5500 (217)	4440/7200 (174.8/283.5)	9000 (19,800)			
6000 (236)	4690/7700 (184.8/303.1)	8000 (17,600)			

Standard mast is shown in broad frame. \*Load capacity at 600mm (24in.) load center.

Capacities shown are for trucks equipped with 2-stage view mast up through 5000mm (197in.) maximum fork

Performance specifications are affected by the conditions of the vehicle and how it is equipped as well as the nature and conditions of the operating area. If these specifications are critical, please discuss the proposed application with your distributor or dealer.





## Mast Types available for Rent:

### A. Standard Two(2) Stage Mast (max lifting height of 3,000mm)

A two stage mast offers great visibility and is ideal for moving loads in trailers.

#### 10.0Ton Forklift Dimension

Length : 4.3m  
Width : 2.3m  
Height : 3.1m (3,000mm fork lifting height)

Gross Weight: 13,500kg



### B. Standard Two(2) Stage Mast (max lifting height of 4,000mm)

A two stage mast offers great visibility and is ideal for moving loads in trailers.

#### 10.0Ton Forklift Dimension

Length : 4.3m  
Width : 2.3m  
Height : 3.3m (4,000mm fork lifting height)

Gross Weight: 13,500kg

