

4.12 HOISTING LIFT TRUCK

CAUTION

- Hook the sling to the designated holes on the top of the mast and the counterbalance-weight.
- Overhead guard and the cab mount (for a cab specification lift truck) have no strength to hoist the lift truck. Never use them for hoisting lift truck, or there is a danger of falling.
- Hook the sling to the mast and counterbalance-weight after checking that they are securely installed.
- Never allow other persons to go under or near the lifted truck.

1. The sling hooking positions are the holes on the top of the outer mast and the counterbalance-weight.
2. Check that the mast and counterbalance-weight are securely installed.

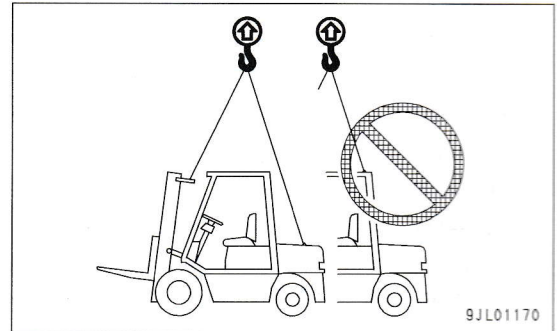
Tightening torque for the counterbalance-weight mount bolts.

: 980 - 1,373Nm {100 - 140kgfm}

Tightening torque for the mast lower mount bolts.

: 824 - 1,030Nm {84 - 105kgfm}

3. Use undamaged sling and wire, having sufficient strength.
4. When hoisting a lift truck, do not allow the overhead guard and/or cab to make contact with wire, etc. Adjust the wire length to prevent the lift truck from being tilted. Do not give impact to it while hoisting.



REMARK

A safety label seen on the right is stuck to the position where the sling is put on to hoist the truck.

