

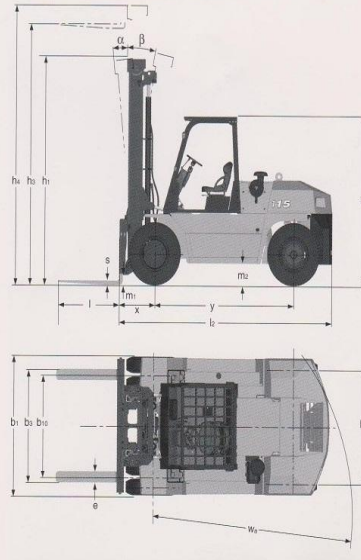
# Loading Capacity: 15,000Kg

## Specifications

Characteristics	1.2	Model	Manufacturer's Designations	FD150		
	1.3	Power Type	Electric, Diesel, Gasoline, LPG, Cable	Diesel		
	1.4	Operation Type	Pedestrian, Drive Standing, Sitting, Order Picking	Sitting		
	1.5	Rated Capacity	Q Rated Capacity	kg (lb)	15000 (33,000)	
	1.6	Load Center	c Rated Load Center	mm (in)	600 (24)	
Weight	1.8	Load Distance	x Front Axle Center to Fork Face	mm (in)	750 (29.5)	
	1.9	Wheelbase	y	mm (in)	3100 (122.0)	
	2.1	Service Weight		kg (lb)	16570 (36,530)	
	2.2	Axle Loading	Loaded	Front	kg (lb)	28740 (63,360)
	2.2.1		Rear	kg (lb)	2830 (6,240)	
2.3	Unloaded		Front	kg (lb)	7210 (15,900)	
2.3.2	Rear	kg (lb)	9360 (20,640)			
Tyres	3.1	Tyre Type		Pneumatic		
	3.2	Tyre Size	Front	11.00-20-16PR (I)		
	3.3	Rear	11.00-20-16PR (I)			
	3.5	Number of Wheel	Front/Rear (x=driven)	4x2		
	3.6	Tread, Front	b10	mm (in)	1770 (69.7)	
Dimensions	3.7	Tread, Rear	b11	mm (in)	1890 (74.4)	
	4.1	Tilting Angle	$\alpha/\beta$ Forward/Backward	degree	6/12	
	4.2	Mast Height, Lowered	h1 with Std. Mast	mm (in)	3270 (128.7)	
	4.3	Std. Free Lift	h2 with Std. Mast from Ground	mm (in)	0 (0.0)	
	4.4	Std. Lift Height	h3 with Std. Mast from Ground	mm (in)	3000 (118)	
	4.5	Mast Height, Extended	h4 with Std. Mast	mm (in)	4780 (188.2)	
	4.7	Height, Overhead Guard	h6	mm (in)	2810 (110.6)	
	4.19	Length, with Std. Forks	l1	mm (in)	5920 (233)	
	4.20	Length, to fork face	l2	mm (in)	4700 (185)	
	4.21	Width, at tyre	b1	mm (in)	2410 (94.9)	
	4.22	Forks	s/e/l Thickness/Width/Lengh	mm (in)	85x190x1220 (3.3x7.5x48.0)	
	4.23	Fork Carriage Class			Pin Mount	
	4.24	Width, Fork Carriage	b3	mm (in)	2210 (87.0)	
	4.31	Ground Clearance	m1 Under the Mast	mm (in)	250 (9.8)	
	4.32		m2 at the center of wheelbase	mm (in)	350 (13.8)	
4.33	Right Angle Stacking Aisle*	Ast plus load length	mm (in)	5150 (202.8)		
4.35	Turning Radius	Wa	mm (in)	4400 (173.2)		
Performance	5.1	Travel Speed (FWD)	Loaded, 1st/2nd/3rd	km/h (mph)	9/19.5/27.5 (5.6/12.1/17.1)	
	5.1.1		Unloaded, 1st/2nd/3rd	km/h (mph)	9.5/21/32 (5.9/13.0/20.2)	
	5.2	Lifting Speed	Loaded/Unloaded	mm/s (fpm)	325/350 (64/69)	
	5.3	Lowering Speed	Loaded/Unloaded	mm/s (fpm)	400/400 (79/79)	
	5.6	Max. Drawbar Pull	Loaded	kN (lb)	80 (18,160)	
	5.8	Max. Gradeability	Loaded 1.5km/h, 3min rating	%	25	
	5.10	Service Brake	Operation/Control		Foot/Hydraulic, Powered	
	5.11	Parking Brake	Operation/Control		Hand/Mechanical	
5.12	Steering	Type		Hydraulic Power Steering		
Drive	6.4	Battery	Voltage/Capacity at 5-hour rating	V/Ah	24/80	
	7.1	Maker/Model				
	7.2	Rated Output, SAE net		kW (HP)	122 (164)	
	7.3	Rated Speed		min <sup>-1</sup>	2200	
	7.3.1	Max Torque, SAE net		N-m (lbf)@min <sup>-1</sup>	575 (424)@1600	
Others	7.4	No. of Cylinder/Displacement		cm <sup>3</sup> (cu.in)	6/6690 (408)	
	7.6	Fuel Tank Capacity		Ltr (US gal)	280 (74.0)	
	8.2	Relief Pressure for Attachment		bar (psi)	216 (3,150)	
	8.2.1	Hydraulic Tank Capacity		Ltr (US gal)	210 (55)	
8.6	Clutch			Torque Converter		

\*Right Angle Stacking Aisle does not include any operational clearance. Specifications are subject to change without notice. The performance values indicated herein represent nominal values obtained under typical operating conditions.

## Dimensional Drawing



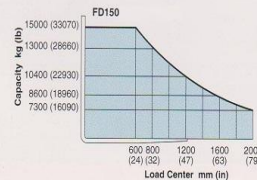
## Maximum Load and Overall Height of Mast by Lifting Height (Double mast, load center: 600mm)

Model	FD150E				
2-stage view mast					
Maximum fork height mm (in)	Overall height mm (in) Lowered/Extended	Load capacity* kg (lb)	Free lift mm (in)	Back tilt restriction	
3000 (118)	3270/4780 (128.7/188.2)	15000 (33,000)	0 (0)	12°	
3300 (130)	3420/5080 (134.6/200.0)	15000 (33,000)			
3500 (138)	3520/5280 (138.6/207.9)	15000 (33,000)			
3700 (146)	3620/5480 (142.5/215.7)	15000 (33,000)			
4000 (157)	3770/5780 (148.4/227.6)	15000 (33,000)			
4500 (177)	4020/6280 (158.3/247.2)	15000 (33,000)			
5000 (197)	4470/6980 (176.0/274.8)	15000 (33,000)			
5500 (217)	4720/7480 (185.3/294.5)	13500 (29,800)			
6000 (236)	4970/7980 (195.7/314.2)	12000 (26,500)			

Standard mast is shown in broad frame.  
\*Load capacity at 600mm (24in.) load center.

Capacities shown are for trucks equipped with 2-stage view mast up through 5000mm (197in.) maximum fork

Performance specifications are affected by the conditions of the vehicle and how it is equipped as well as the nature and conditions of the operating area. If these specifications are critical, please discuss the proposed application with your distributor or dealer.

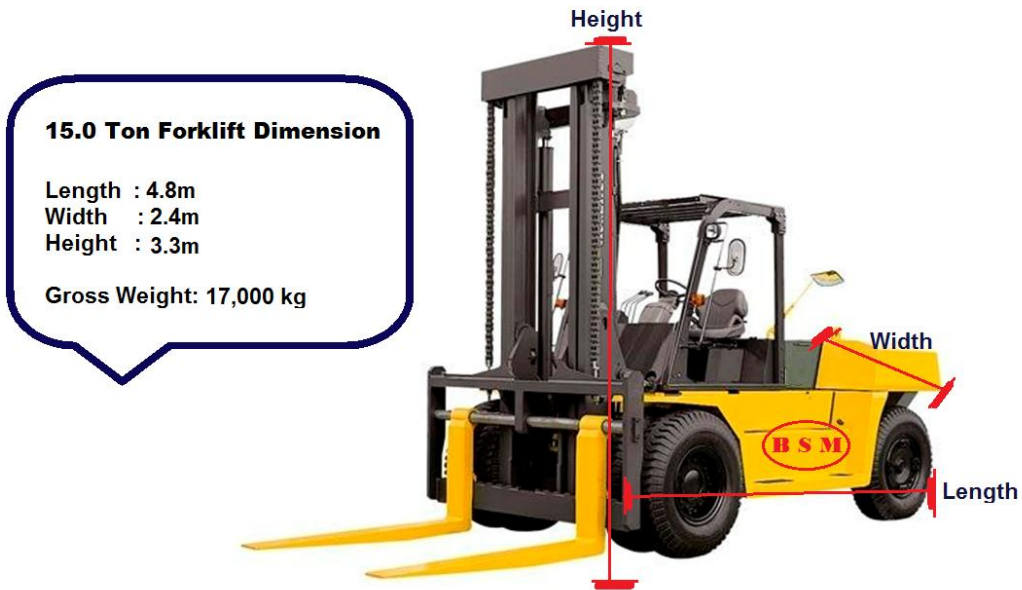




## Mast Types available for Rent:

### A. Standard Two(2) Stage Mast (max lifting height of 3,200mm)

A two stage mast offers great visibility and is ideal for moving loads in trailers.



### B. Standard Two(2) Stage Mast (max lifting height of 4,000mm)

A two stage mast offers great visibility and is ideal for moving loads in trailers.

