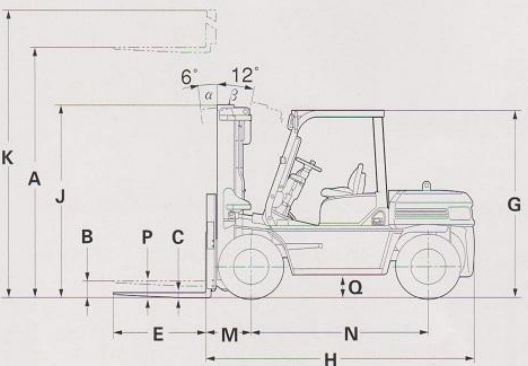
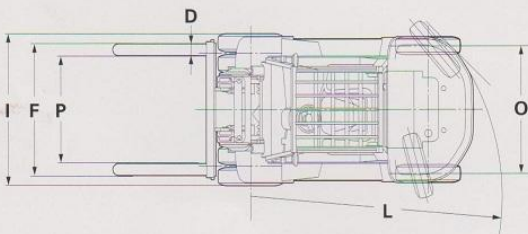


# Loading Capacity: 5,000Kg

## Specifications

| Model            |                               | Manufacturer's Designation                 |                   | FD50                               | FG50        |  |
|------------------|-------------------------------|--|-------------------|------------------------------------|-------------|--|
| Characteristics  | 1 Capacity                    | Capacity at 600mm (24") Load Center        |                   | 5000 (11,000)                      |             |  |
|                  | 2 Power Type                  | Diesel, Gasoline, LPG                      |                   | Diesel                             | Gasoline    |  |
|                  | 3 Tyre Type                   | Solid, Pneumatic                           |                   | Pneumatic                          |             |  |
|                  | 4 Operator Type               | Driver Standing, Sitting                   |                   | Sitting                            |             |  |
| Dimensions       | 5 Wheel (*=driven)            | Number Front / Rear                        |                   | 2*/2                               |             |  |
|                  | 6 Lift                        | Std. Fork Height / Free Lift (single mast) |                   | 3000 (118)/210 (8.3)               |             |  |
|                  | 7 Forks                       | Thickness X Width X Length                 |                   | 55 X 150 X 1220 (2.2 X 5.9 X 48.0) |             |  |
|                  | 8 Forks Opening Range         | Max. / Min.                                |                   | 1700/300 (66.9/11.8)               |             |  |
|                  | 9 Tilting Angle               | Forward / Backward                         |                   | 6/12                               |             |  |
|                  | 10                            | Height, Overhead Guard                     |                   | 2440 (96.1)                        |             |  |
|                  | 11 Overall                    | Length to Face of Forks                    |                   | 3470 (136.6)                       |             |  |
|                  | 12 Dimensions                 | Width                                      |                   | 1880 (74.0)                        |             |  |
|                  | 13                            | Height, Mast Lowered                       |                   | 2500 (98.4)                        |             |  |
|                  | 14                            | Height, Mast Extended                      |                   | 4350 (171.2)                       |             |  |
| Performance      | 15 Turning Radius             | Outside                                    |                   | 3250 (127.9)                       |             |  |
|                  | 16 Load Distance              | From Center of Front Axle                  |                   | 570 (22.4)                         |             |  |
|                  | 17 Right Angle Stacking Aisle | Plus Load Length                           |                   | 5240 (206.3)                       |             |  |
|                  | Speeds                        | Travel                                     | Forward & Reverse | Loaded                             | 11.0 (6.8)  |  |
|                  |                               |  |                   | Unloaded                           | 30.0 (18.6) |  |
|                  |                               | Lifting                                    | Loaded / Unloaded | 1st km/h (mph)                     | 12.0 (7.5)  |  |
|                  |                               |  |                   | 2nd km/h (mph)                     | 31.0 (19.3) |  |
|                  | Lowering                      | Loaded / Unloaded                          | 1st km/h (mph)    | 420/430 (83/85)                    |             |  |
|                  |                               |  | 2nd km/h (mph)    | 550/580 (108/114)                  |             |  |
|                  | 24 Max. Drawbar Pull          |  |                   | 61 (13,820)                        |             |  |
| 25 Grade ability |                               |  | 60                |                                    |             |  |
| Weights          | 26 Service Weight             |  |                   | 7540 (16,620)                      |             |  |
|                  | 27 Axle Loading               | Loaded                                     | Front / Rear      | 11200/1340 (24,690/2,950)          |             |  |
|                  |                               |  | Unloaded          | 3660/3880 (8,070/8,550)            |             |  |
| Chassis & Wheels | 28 Tyre Size                  | Front/Rear                                 |                   | 300-15-18PR(I)/8.25-15-12PR(I)     |             |  |
|                  | 29 Wheelbase                  |  |                   | 2300 (90.5)                        |             |  |
|                  | 30 Tread                      | Front / Rear                               |                   | 1580/1640 (62.2/64.6)              |             |  |
|                  | 31 Ground Clearance           | Lowest Point                               |                   | 225 (8.8)                          |             |  |
|                  | 32                            | Center of Frame                            |                   | 280 (11.0)                         |             |  |
|                  | 33 Brakes                     | Service / Parking                          |                   | Hydraulic, Powered/Mechanical      |             |  |
|                  | 34 Steering                   | Type                                       |                   | Power Steering                     |             |  |
|                  | 35 Battery                    | Voltage / Capacity 5-Hour Rating           |                   | 24/56                              |             |  |
| Drive            | 36                            | Make/Model                                 |                   | 12/48                              |             |  |
|                  | 37                            | Rated Horsepower / RPM (SAE Gross)         |                   | 73 (100) @2250                     |             |  |
|                  | 38                            | Max. Torque/RPM (SAE Gross)                |                   | 353 (260) @1600                    |             |  |
|                  | 39 Internal                   | Number of Cylinders / Displacement         |                   | 6/5880 (359)                       |             |  |
|                  | 40 Combustion                 | Cylinder Bore X Stroke                     |                   | 102 X 120 (4.0 X 4.7)              |             |  |
|                  | 41 Engine                     | Fuel Tank Capacity                         |                   | 140 (37)                           |             |  |
|                  | 42                            | Air Cleaner                                |                   | Cyclone                            |             |  |
|                  | 43 Clutch                     | Type                                       |                   | Torque Converter                   |             |  |
|                  | 44 Transmission               | Type                                       |                   | TORQFLOW                           |             |  |
|                  | 45 Hydraulic                  | Max. Pressure / Tank Capacity              |                   | 181 (2,630)/70 (18)                |             |  |



### STANDARD EQUIPMENT

- Headlights
- Turn signals
- Stop and tail lights
- Back up light
- Engine key stop (Diesel)
- Horn
- Torque converter oil cooler
- Power brake
- Cyclonic air cleaner
- Tilttable steering column
- Drawbar pin

### Safety indicators

- Engine oil pressure warning lamp
- Charge warning lamp
- Air cleaner element warning lamp
- Parking brake lamp
- Coolant level warning lamp
- Brake oil level warning lamp
- Sedimenter warning lamp (Diesel)
- Operation lamp
- Preheating indicator (Diesel)

### Meters

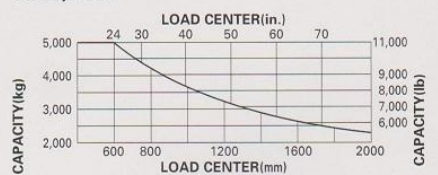
- Water temperature gauge
- Fuel gauge
- Torque converter oil temperature gauge
- Hourmeter

### ATTACHMENTS

- Side shifter
- Bale clamp
- Manipulator
- Hinged forks
- Fork positioner
- Side shifting type fork positioner
- Ram

There are more options and attachments. Please contact with your Komatsu dealer for the availability.

### FD50/FG50



Capacities shown are for trucks equipped with 2-stage view mast up through 5000mm (197in.) maximum fork height, 1700mm(66.9in.) carriage, 1220mm(48in.) forks. Contact your distributor or dealer for capacity information with other equipment.

| Maximum fork height mm(in)    | Overall height mm (in) |              | Load* capacity kg (lb) | Free lift mm (in) B | Back tilt restriction β |
|-------------------------------|------------------------|--------------|------------------------|---------------------|-------------------------|
|                               | Lowered J              | Extended K   |                        |                     |                         |
| 2-stage view mast**           |                        |              |                        |                     |                         |
| 3000 (118)                    | 2500 (98.4)            | 4350 (171.3) | 5000 (11,000)          | 210 (8.3)           | 12°                     |
| 3500 (138)                    | 2750 (108.3)           | 4650 (183.1) |                        |                     |                         |
| 4000 (157)                    | 3000 (118.1)           | 5350 (210.6) |                        |                     |                         |
| 4500 (177)                    | 3350 (131.9)           | 5850 (230.3) |                        |                     |                         |
| 5000 (197)                    | 3700 (145.7)           | 6350 (250.0) |                        |                     |                         |
| 5500 (217)                    | 4050 (159.4)           | 6850 (269.7) | 4750 (10,470)          |                     |                         |
| 6000 (236)                    | 4300 (169.3)           | 7350 (289.4) | 4400 (9,700)           |                     |                         |
| 2-stage full free view mast** |                        |              |                        |                     |                         |
| 3000 (118)                    | 2500 (98.4)            | 4160 (163.8) | 4700 (10,360)          | 1405 (55.3)         | 10°                     |
| 3300 (130)                    | 2650 (104.3)           | 4460 (175.6) |                        |                     |                         |
| 3500 (138)                    | 2750 (108.3)           | 4660 (183.5) |                        |                     |                         |
| 4000 (157)                    | 3000 (118.1)           | 5160 (203.1) |                        |                     |                         |
| 3-stage full free view mast** |                        |              |                        |                     |                         |
| 4000 (157)                    | 2400 (94.5)            | 5105 (201.0) | 4500 (9,920)           | 1400 (55.1)         | 6°                      |
| 4300 (169)                    | 2500 (98.4)            | 5405 (212.8) |                        |                     |                         |
| 4500 (177)                    | 2550 (100.4)           | 5600 (220.5) |                        |                     |                         |
| 5000 (197)                    | 2750 (108.3)           | 6100 (240.2) |                        |                     |                         |
| 5500 (217)                    | 2950 (116.1)           | 6600 (259.8) |                        |                     |                         |
| 6000 (236)                    | 3150 (124.0)           | 7100 (279.5) | 4100 (9,040)           | 2155 (84.8)         |                         |

Standard mast is shown in broad frame.

\* Load capacity at 600mm (24in.) load center.

\*\* 1280mm (50.4 in.) height load backrest.

\*\*\* Free lift and Overall height (Extended) shown are for truck without load backrest.



## Mast Types available for Rent:

### A. Standard Two(2) Stage Mast

A two stage mast offers great visibility and is ideal for moving loads in trailers.

#### 5.0 Ton Forklift Dimension

Length : 3.5m  
Width : 1.5m  
Height : 3.1m (standard mast)

Gross Weight: 7,500kg



### B. Container Three(3) Stage Mast

A three stage mast is the most versatile forklift mast and also the most popular. This mast type is a good choice for general warehouse applications. You can drive inside a container and lift up, without putting the mast of the forklift through the roof.

#### 5.0 Ton Forklift Dimension

Length : 3.5m  
Width : 1.5m  
Height : 2.4m (low mast)

Gross Weight: 7,500kg



## C. High Mast

A high mast is designed for high stacking. It can reach a maximum fork height of 6,000mm.

